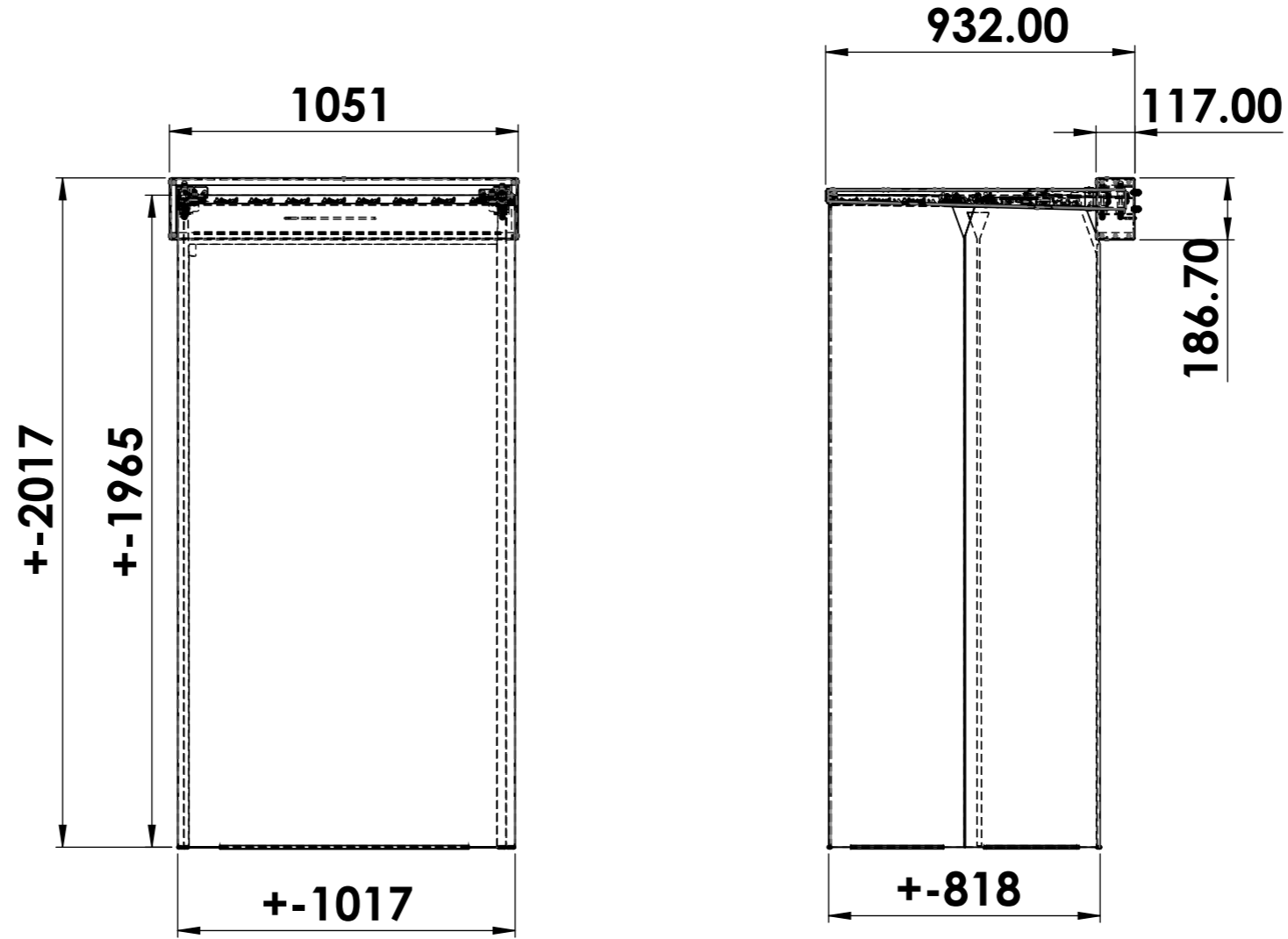
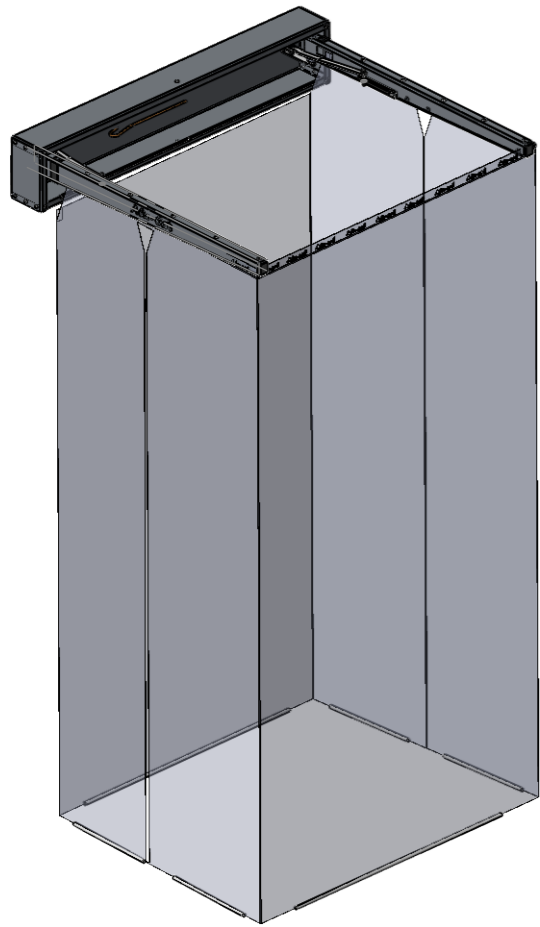


GENERAL ARRANGEMENT

SHOWER CUBE

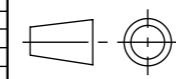
ASSY INFO	MASS (kg):	
	BONDED:	
	FASTENED:	
FINISH	WELDED:	
	TUMBLED:	
	BRUSHED:	
	POWDER:	
	SPRAY:	
	COLOUR:	N/A



TOLERANCES TO ASSUME UNLESS INDICATED OTHERWISE		
NOM DIMENSION	RANGE (mm)	TOLERANCE
0.50	- 3.00	± 0.10
3.00	- 6.00	± 0.15
6.00	- 30	± 0.20
30	- 120	± 0.30
120	- 400	± 0.50
400	- 1000	± 1.00
1000	- 1000<	± 2.00

DESCRIPTION:
SHOWER CUBICLE ASSEMBLY

PROJECT:
SH-SC



DRAWN BY: System Administrator DATE: 2024-06-26

THE INFORMATION CONTAINED WITHIN THIS DOCUMENT IS THE INTELLECTUAL PROPERTY OF ALU-CAB (PTY) LTD

SHEET:
A3
SCALE:
1:20

SHEET
1 of 1

Alu-Cab
ULTIMATE OVERLAND PRODUCTS

DRAWING NO.
SH-SC-GA

REV
01